

**Model Numbers: JY350, JY350/P, JY350/Y, JY450, JY450/P & JY450/Y**

DEPEND ON  
**DAVEY**

**WATER PRODUCTS**

**JET PUMP**

**PRODUCT DESCRIPTION**

Economical, compact - single stage jet assisted centrifugal pumps, to provide reliable, higher pressures at flows to 43lpm.

**APPLICATIONS**

- Ideal for elevated tank filling
- Domestic water supply
- Water transfer
- Pressure boosting



**FEATURES & BENEFITS**

Single stage jet assisted centrifugal pump

- Higher operating pressures
- Less moving parts for increased dependability
- Self priming for easier installation

Corrosion resistant and stainless steel pump components

- Longer life when pumping a variety of water qualities
- Reduced friction within the casing and impellers

High quality purpose built 2 pole, 50Hz or 60Hz, IP55 TEFC pump motors with

- Permanent split capacitor starting for dependable and frequent starting everytime
- In-built thermal overload for long motor life and protection against motor damage due to jamming

- High quality sealed bearings for longer life
- Fitted with a power lead for ease of connection to power supply
- Resists ingress of dust & dirt

Designed with the serviceman and installer in mind

- Suction and discharge are close for easier installation
- Quality components throughout for long life and easier maintenance

Every pump is performance and pressure tested in the factory to ensure quality and reliability

**OPERATING LIMITS**

	<b>JY350</b>	<b>JY450</b>
Capacities to	37lpm	43lpm
Maximum total head	37m	46m
Maximum liquid temperature	45°C	
Maximum ambient temperature	55°C	
Maximum suction lift	7m	
Maximum casing pressure	600kPa	
Maximum incoming (suction) pressure	140kPa	
Inlet size	1" BSP(F)	
Outlet size	1" BSP(F)	

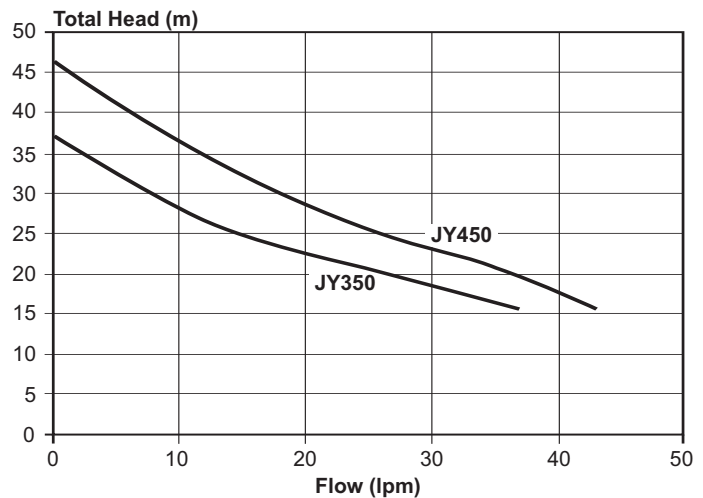


# TECHNICAL SPECIFICATIONS

## MATERIALS OF CONSTRUCTION

PART	MATERIAL
Impellers	304 stainless steel
Pump casing	304 stainless steel
Pump shaft	316 stainless steel
Seal ring (stationary)	Ceramic
Seal ring (rotating)	Carbon
Seal ring elastomer	Nitrile rubber
Seal spring	304 stainless steel
O-ring	Nitrile rubber
Jet/venturi/cover plate	Glass filled thermoplastic
Motor shell	Aluminium
Motor shell finish	Polyester

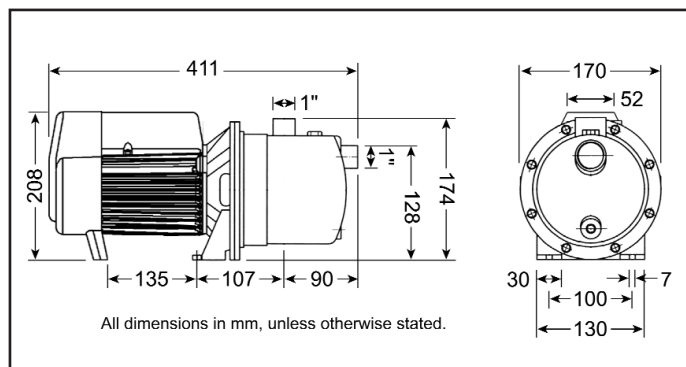
## HYDRAULIC PERFORMANCE



## INSTALLATION & PRIMING

- On installations with suction lifts, a good quality foot valve should be fitted to avoid loss of prime.
- The system is primed by filling with water. Ensure all suction pipes air air tight.

## DIMENSIONS



Model	Weight (kg)
JY350	6
JY450	8

## ELECTRICAL DATA

Model number	JY350	JY450	JY350/P	JY450/P	JY350/Y	JY450/Y
Nominal rpm	2900		3500			
Volts / hertz / phase	220-240 / 50 / 1		220 / 60 / 1		110 / 60 / 1	
IP rating / insulation	55 / Class F					
Amps	2.5	3.9	2.5	3.9	5.1	7.5
kW (P <sub>1</sub> ) / (P <sub>2</sub> )	0.52 / 0.37	0.68 / 0.49	0.52 / 0.37	0.68 / 0.49	0.52 / 0.37	0.68 / 0.49
Nominal hp	0.7	1	0.7	1	0.7	1

This literature is not a complete guide to product usage. Further information is available from your Davey dealer, Davey Customer Service Centre and from the relevant product Installation and Operating Instructions. This data sheet must be read in conjunction with the relevant product Installation and Operating Instructions and all applicable statutory requirements. Product specifications may change without notice.

© Davey is a registered trademark of Davey Water Products Pty Ltd. © Davey Water Products Pty Ltd 2009.



DEPEND ON  
**DAVEY**

**WATER PRODUCTS**

### Davey Water Products Pty Ltd

Member of the GUD Group  
ABN 18 066 327 517

### Head Office and Manufacturing

6 Lakeview Drive,  
Scoresby, Australia 3179  
Ph: +61 3 9730 9222  
Fax: +61 3 9753 4100  
Website: davey.com.au

### Customer Service Centre

Ph: 1300 2 DAVEY (1 300 232 839)  
Fax: 1300 369 119  
E-mail: sales@davey.com.au

### Interstate Offices

Sydney • Brisbane • Adelaide  
Perth • Townsville

### International

6 Lakeview Drive,  
Scoresby, Australia 3179  
Ph: +61 3 9730 9121  
Fax: +61 3 9753 4248  
E-mail: export@davey.com.au

### USA

Website: daveyusa.com  
E-mail: export@davey.com.au

### Davey Water Products – New Zealand

7 Rockridge Avenue,  
Penrose, Auckland 1061  
Ph: +64 9 570 9135  
Fax: +64 9 527 7654  
Website: daveynz.co.nz  
E-mail: sales@daveynz.co.nz

### Davey Spa – New Zealand

2 Rothwell Avenue,  
North Harbour, Auckland 0632  
Ph: +64 9 415 8622  
Fax: +64 9 415 8621  
Website: spa-quip.co.nz  
E-mail: service@spa-quip.co.nz