

PRESSURE SYSTEMS WITH BASE MOUNTING
 Model Numbers: Dyanjet® X50, X70 & X90
 Build Prefix: 72531, 72731 & 72931

DEPEND ON
DAVEY

WATER PRODUCTS



DYNAJET® PRESSURE SYSTEMS

PRODUCT DESCRIPTION

Economical, compact 50, 70 and 90 lpm home pressure systems driven by a single stage jet assisted centrifugal pump.

Base mounted systems include Supercell 35C pressure vessel and pressure switch all mounted on one convenient base.

APPLICATIONS

- Ideal for average homes with modern appliances to large double story homes
- Domestic water supply
- Pressure boosting
- Automatic water transfer

DESIGN FEATURES

PUMP
 Single stage jet assisted centrifugal with closed vane impeller.
 Brass pump shaft sleeve.
 Internal suction side check valve fitted.
 Mechanical shaft seal.
 Oring casing seals.
 Pressure switch control with adjustable cut-in and cut-out pressure.

MOTOR
 Davey manufactured.
 2 pole, 2850rpm, 50Hz.
 TEFC with IP55 enclosure.
 Class F insulation.
 Permanently split capacitor design.
 Double contact sealed C3-HTG rated ball bearings.
 Protected against both high operating temperatures and high current by a built-in automatically resetting thermal overload.

TANK
 Captive heavy duty butyl diaphragm meets EEC requirements for potable water.
 Fully lined water cavity.

BENEFITS

- Manufactured from highest quality corrosion resistant materials
- Compact base mounting for quick and easy installation
- Fully adjustable pressure switch allows for installation adjustments
- TEFC motor-corrosion resistant and excludes dust and dirt
- Motor and pump designed for frequent starts
- Every tank and pump unit individually tested to guarantee reliable operation
- Low maintenance
- Easy to service if required

OPERATING LIMITS

	X50	X70	X90
Capacities to	50lpm	70lpm	90lpm
Maximum total head	46m	48m	46m
Cut-in pressure (factory setting)	180kPa	210kPa	210kPa
Cut-out pressure (factory setting)	390kPa	420kPa	350kPa
Maximum liquid temperature		50°C	
Maximum ambient temperature		55°C	
Maximum suction lift		7m	
Inlet size (BSP)	1" F	1 1/4" F	1 1/4" F
Outlet size (BSP)	1" F	1" F	1" F



TECHNICAL SPECIFICATIONS

MATERIALS OF CONSTRUCTION

PART	MATERIAL
Impellers	Glass filled polycarbonate
Pump casing	Glass filled Noryl
Pump shaft sleeve	Brass
Internal check valve	Delrin
Internal check valve spring	Stainless spring steel
Jet and Venturi	Acetal
Inlet & outlet ports	Glass filled Noryl
Seal ring (stationary)	Carbon
Seal ring (rotating)	Ceramic
Seal spring	304 Stainless Steel
Orings	Nitrile rubber
Tank shell	Steel
Tank finish	Epoxy powdercoat
Diaphragm	Butyl Rubber
Tank liner	Potable grade Epoxy powdercoat
Tank inlet	Steel with special inner lining
System base	Noryl

ELECTRICAL DATA

	X50	X70	X90
Supply voltage	220-240V		
Supply frequency	50Hz		
Input power (P1)	0.84kW	1.15kW	1.4kW
Output power (P2)	0.56kW	0.8kW	1.1kW
Full Load Current	3.6A	5.1A	6.6A
Locked Rotor Current	12.0A	18.0A	28.0A
Starting	P.S.C.		
Insulation class	Class F		
IP Rating	IP55		



N2401

INSTALLATION & PRIMING

- On installations with suction lifts over 1m a good quality foot valve or non-return valve should be fitted to the suction pipe.
- The system is primed by filling the pump and suction line with water through the priming port and replacing priming plug prior to switching on.

This literature is not a complete guide to product usage. Further information is available from your Davey dealer, Davey Customer Service Centre and from the relevant product installation and Operating Instructions. This data sheet must be read in conjunction with the relevant product Installation and Operating Instructions and all applicable statutory requirements. Product specifications may change without notice.

© Davey and Dynajet are registered trademarks of Davey Products Pty Ltd. © Davey Products Pty Ltd 1999.

DEPEND ON
DAVEY

WATER PRODUCTS

Davey Products Pty Ltd

Member of the GUD Holdings Ltd Group
 ABN 18 066 327 517
 Head Office and Manufacturing
 6 Lakeview Drive,
 Scoresby, Australia 3179
 Ph: +61 3 9730 9222
 Fax: +61 3 9753 4100
 Website: www.davey.com.au
 Customer Service Centre
 Ph: 1300 367 866
 Fax: 1300 369 119
 E-mail: sales@davey.com.au
 Interstate Offices
 Sydney - Brisbane - Adelaide
 Perth - Townsville

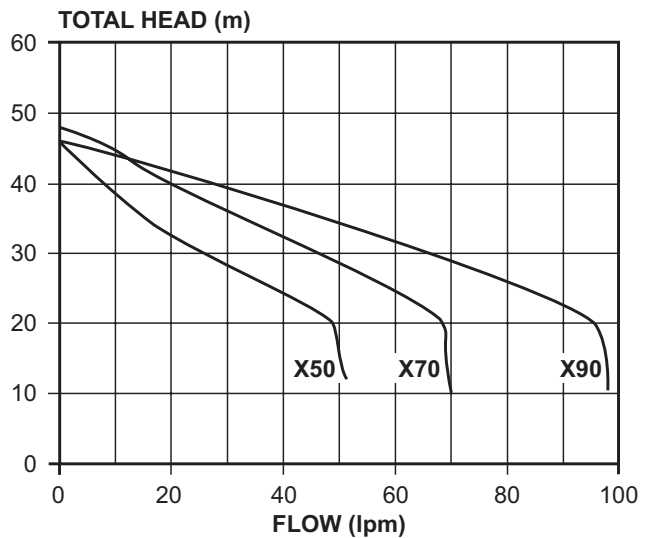
International
 6 Lakeview Drive,
 Scoresby, Australia 3179
 Ph: +61 3 9730 9121
 Fax: +61 3 9753 4248
 E-mail: export@davey.com.au

Germany
 Kantstrasse 47,
 04275 Leipzig
 Ph: +49 341 301 0412
 Fax: +49 341 301 0413
 E-mail: akrenz@daveyeurope.com

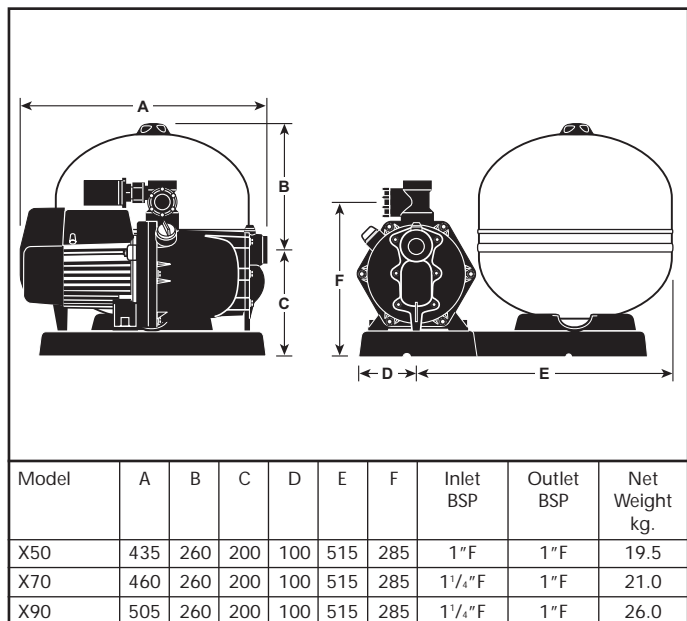
New Zealand
 2 Rothwell Avenue,
 North Harbour, Auckland 1330
 Ph: +64 9 914 3680
 Fax: +64 9 914 3685
 Website: www.daveynz.co.nz
 E-mail: sales@daveynz.co.nz

USA
 Davey Pumps Inc.
 1005 N. Commons Drive
 Aurora, Illinois 60504
 Ph: +1 630 898 6976
 Fax: +1 630 851 7744
 Website: www.daveyusa.com
 E-mail: sales@daveyusa.com

HYDRAULIC PERFORMANCE



DIMENSIONS



All dimensions in mm unless otherwise stated.



Visit Davey on-line for further information
www.davey.com.au