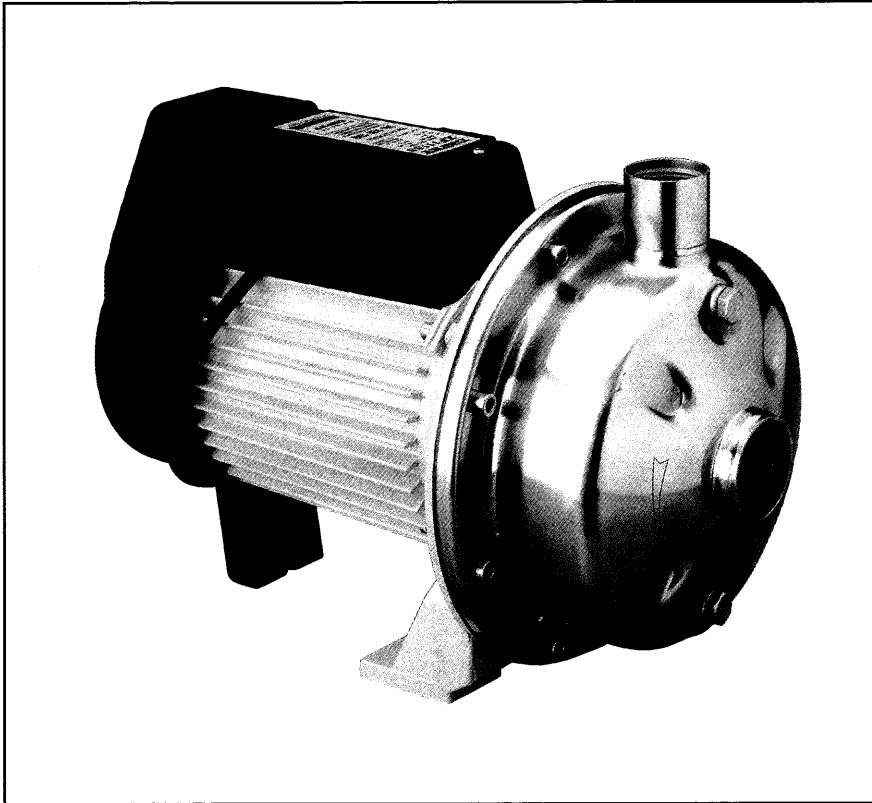


Model Numbers: XF111SS, XF111SS/P
 XF111SS/Y, XF211SS,
 XF211SS/P, XF211SS/Y
 XF311SS, XF311SS/P
 & XF311SS/Y

DEPEND ON
DAVEY

WATER PRODUCTS



TRANSFER PUMPS

PRODUCT DESCRIPTION

Robust & compact, single-stage stainless steel centrifugal pumps, driven by a TEFC motor. Designed for total head duties to 36m and flows to 215lpm.

APPLICATIONS

Ideal for pumping clean, non-volatile liquids without fibres or solids in such applications as:-

- Domestic water supply
- Irrigation
- Water transfer
- Washing systems
- Pressure boosting

DESIGN FEATURES

PUMP

Single impeller design.
 Closed vane 304 stainless steel impellers.
 Captive teflon neckring.
 316 stainless steel pump shaft.
 304 stainless steel casing.
 Mechanical shaft seal.
 Oring casing seal.

MOTOR

2 pole, 50Hz (220-240v) or 60Hz (110v or 220v). 380v 3 phase models available on request.
 TEFC with IP55 enclosure.
 Class F insulation.
 Permanently split capacitor design.
 Protected against both high operating temperature and high current by a built-in automatically resetting thermal overload.

BENEFITS

- Manufactured from quality corrosion resistant materials
- TEFC motor corrosion resistant and excludes dust and dirt
- Motor and pump designed for frequent starts
- Quick and easy installation
- Low maintenance
- Easy to service if required

OPERATING LIMITS

	XF111SS	XF211SS	XF311SS
Capacities to	150lpm	200lpm	215lpm
Maximum total head	27m	30m	36m
Maximum suction head		7.0m	
Maximum water temperature continuous		+80oC	
Minimum water temperature		-15oC	
Maximum ambient temperature		55oC	
Inlet size		1 1/4" BSP(F)	
Outlet size		1" BSP(F)	
Maximum pump casing pressure		800kPa	

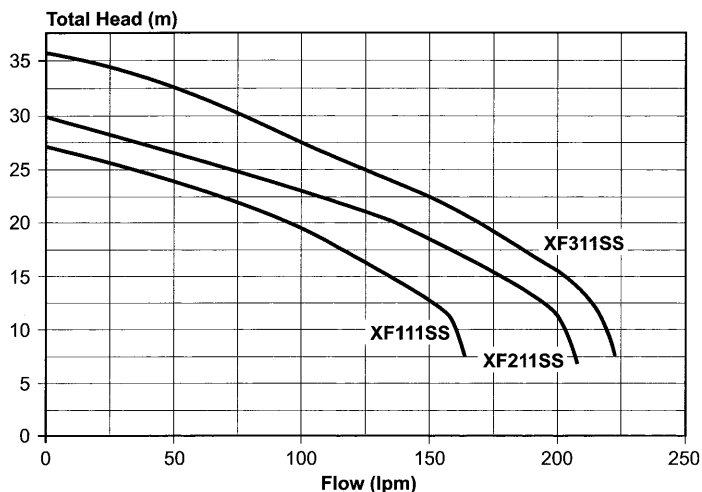


TECHNICAL SPECIFICATIONS

MATERIALS OF CONSTRUCTION

PART	MATERIAL
Impellers	304 stainless steel
Lock nut	304 stainless steel
Pump casing	304 stainless steel
Pump shaft	316 stainless steel
Seal ring (stationary)	Ceramic
Seal ring (rotating)	Carbon
Seal spring	304 stainless steel
Orings	Nitrile rubber
Diffuser	304 stainless steel
Neckring	Teflon
Motor shell	Aluminium
Shell finish	Polyester

HYDRAULIC PERFORMANCE

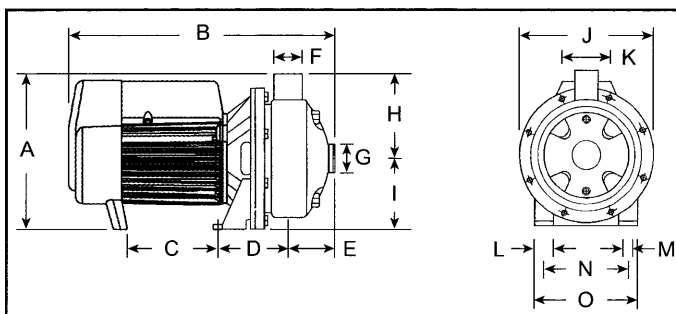


Note: 60Hz performance may vary slightly from above data.

INSTALLATION & PRIMING

- Installations with suction lift require a good quality foot valve to avoid loss of prime.
- To prime, fill pump body and suction line through priming plug hole located above suction inlet and replace plug.

DIMENSIONS



Model	Part No.	Weight (kg)	A	B	C	D	E	F	G	H	I	J	K	L	M	N	O
XF111SS	CY70-75	10	232	343	135	92	52	1"	1 1/4"	124	108	213	52	39	9	120	158
XF211SS	CY70-90	11	232	343	135	92	52	1"	1 1/4"	124	108	213	52	39	9	120	158
XF311SS	CY70-110	14.5	260	410	176	97	51	1"	1 1/4"	139	121	240	60	39	9	140	180

All dimensions in mm unless otherwise stated.

ELECTRICAL DATA

Model number	XF111SS	XF211SS	XF311SS	XF111SS/P	XF211SS/P	XF311SS/P	XF111SS/Y	XF211SS/Y	XF311SS/Y
Part number	CY70-75-0	CY70-90-0	CY70-110	CY70-75P-0	CY70-90P-0	CY70-110P-0	CY70-75Y-0	CY70-90Y-0	CY70-110Y-0
Nominal rpm	2900			3500					
Volts / hertz / phase	220-240 / 50 / 1			220 / 60 / 1			110 / 60 / 1		
IP rating	55								
Amps	4.5	5.4	6.4	4.6	5.9	6.7	10.1	10.8	13.6
kW (P ₁) / (P ₂)	1.1 / 0.75	1.3 / 0.9	1.4 / 1.1	1.1 / 0.75	1.3 / 0.9	1.5 / 1.1	1.1 / 0.75	1.3 / 0.9	1.5 / 1.1
hp (P ₁) / (P ₂)	1.5 / 1	1.75 / 1.2	1.9 / 1.5	1.5 / 1	1.75 / 1.2	2.0 / 1.5	1.5 / 1	1.75 / 1.2	1.9 / 1.5

This literature is not a complete guide to product usage. Further information is available from your Davey dealer, Davey Customer Service Centre and from the relevant product Installation and Operating Instructions. This data sheet must be read in conjunction with the relevant product Installation and Operating Instructions and all applicable statutory requirements. Product specifications may change without notice.

© Davey is a registered trademark of Davey Water Products Pty Ltd. © Davey Water Products Pty Ltd 2009.



Visit Davey on-line for further information

Davey Water Products Pty Ltd

Member of the GUD Group
ABN 18 066 327 517

Head Office and Manufacturing

6 Lakeview Drive,
Scoresby, Australia 3179
Ph: +61 3 9730 9222
Fax: +61 3 9753 4100
Website: davey.com.au

Customer Service Centre

Ph: 1300 2 DAVEY (1300 232 839)
Fax: 1300 304 850
E-mail: sales@davey.com.au

Interstate Offices

Sydney • Brisbane • Adelaide
Perth • Townsville

International

6 Lakeview Drive,
Scoresby, Australia 3179
Ph: +61 3 9730 9121
Fax: +61 3 9753 4248
E-mail: export@davey.com.au

USA

Website: daveyusa.com
E-mail: export@davey.com.au

Davey Water Products - New Zealand

7 Rockridge Avenue,
Penrose, Auckland 1061
Ph: +64 9 570 9135
Fax: +64 9 527 7654
Website: daveynz.co.nz
E-mail: sales@daveynz.co.nz

Davey Spa - New Zealand

2 Northwell Avenue,
North Harbour, Auckland 0632
Ph: +64 9 415 8622
Fax: +64 9 415 8621
Website: spa-quip.co.nz
E-mail: service@spa-quip.co.nz

DEPEND ON
DAVEY

WATER PRODUCTS